

LOW PROFILE ANTENNA UHF / GPS-GNSS-GALILEO T-BP641-MIL

SPECIFICATIONS

Material:	
Base:	Alluminium alloy En AW-6082
Radome:	Polycarbonate
Weight (g):	1000
Dimensions (mm):	140x160
Ral 6003	Militar olive green

TECHNICAL DATA 380÷470

Frequency range (MHz):	380÷470
Impedance (Ohms):	50
Max Power (W):	200
V.S.W.R.:	Less than 2.0
Polarization:	Vertical
Emission:	Omnidirectional
Gain (dBi):	2.14 dBi over 1/4 λ
Connector:	N Female

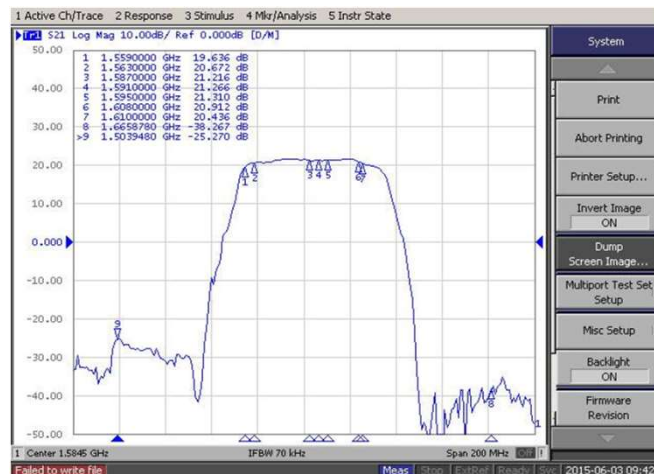
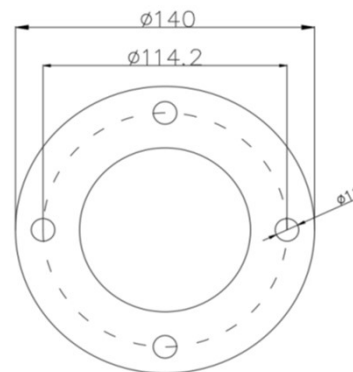
DC GROUNDED LIGHTNING PROTECTION

TECHNICAL DATA GPS/GNSS/GALILEO

Antenna type:	Active Planar Patch Antenna
Center frequency:	1580 MHz
Bandwidth:	±28MHz
V.S.W.R.:	50
Impedance (Ohms):	50
Polarization:	RHCP
Supply voltage (V):	2.7 ÷ 5,1
Current absorption:	10±1mA at 2.7V 16 ± 1mA at 5V
Gain Amplifier (dBi):	18±1 dB at 2.7V 22 ±1 dB at 5V
Gain Patch antenna (dBi):	2
Noise figure (db):	1.7÷ 2.1
Temperature (C°):	-30 - +80°
Cable:	RG316 mm 300±10 with SMA B



Standard 4 hole NATO flange, with conducting gasket, or strap for grounding.



Atel-Antennas S.r.l.

Viale Caduti sul Lavoro,21/A-15061 Arquata Scrivia (AL) - Italy

Tel. +39 0143666423-Website: www.atel-antennas.eu- Mail: commerciale@atel-antennas.eu

P. IVA 02442250060