

Omnidirectional straight dipole antenna SMA 2.4GHz T-AT956

MECHANICAL SPECIFICATIONS

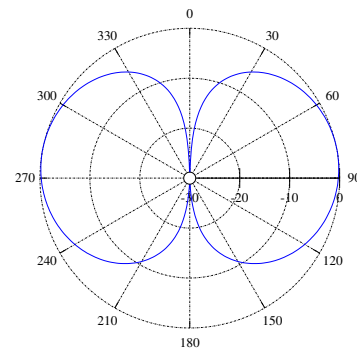
Material	: HYTREL G 3548 L
Color	: Black
Height	: 60 ± 2 mm
Diameter	: 14.3 ± 0.1 mm
Weight	: 15 g
Temperature	: $35^{\circ}\text{C} - 80^{\circ}\text{C}$

TECHNICAL SPECIFICATIONS

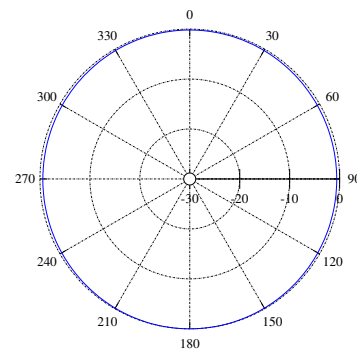
Antenna type	: $\lambda/4$
Frequency range	: 2370-2485 MHz
Impedance	: 50Ω
VSWR	: < 1.8
Gain	: 2.14 dBi
Polarization	: Vertical
Radiation pattern	: Omni-directional in the horizontal plane
Input Power	: 1 W CW maximum
Connector	: SMA M



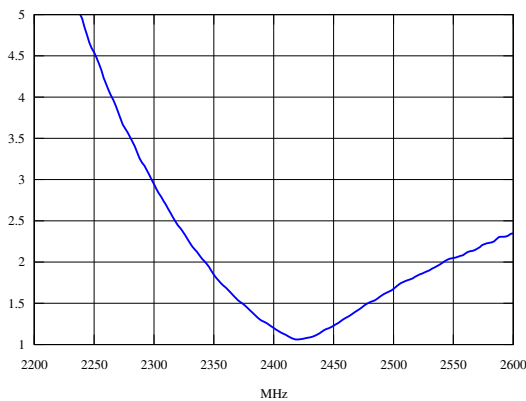
Farfield Directivity E-plane [dB]



Farfield Directivity H-plane [dB]



VSWR

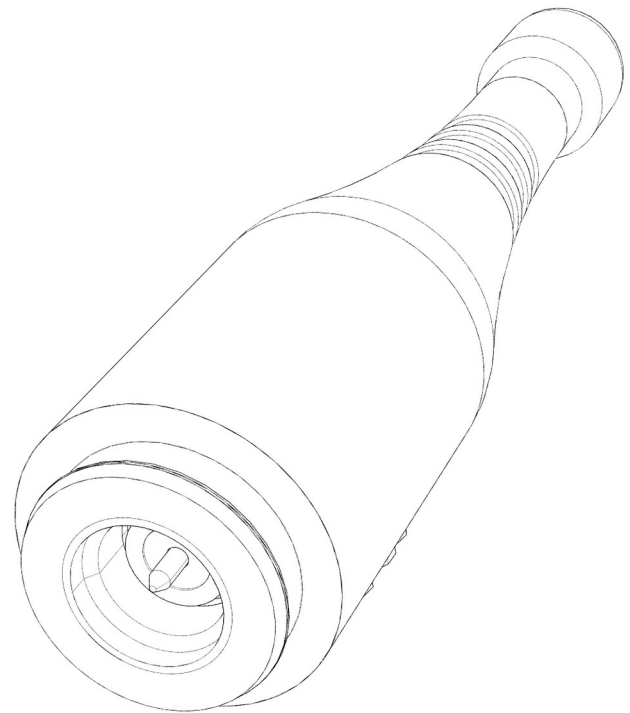
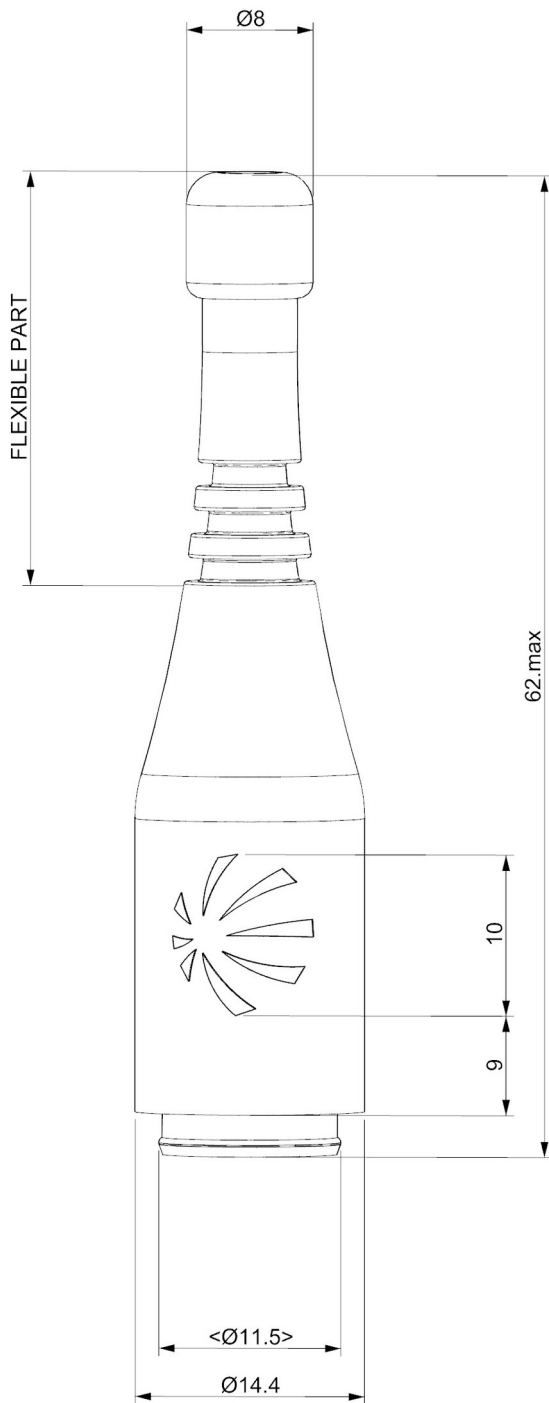


Atel-Antennas S.r.l.

Viale Caduti sul Lavoro,25 – 15061 Arquata Scrivia (AL) - Italy

Tel. +39 0143666423-Website: www.atel-antennas.eu- Mail: commerciale@atel-antennas.eu

P. IVA 02442250060



SMA PLUG

Atel-Antennas S.r.l.

Viale Caduti sul Lavoro,25 – 15061 Arquata Scrivia (AL) - Italy
Tel. +39 0143666423-Website: www.atel-antennas.eu- Mail: commerciale@atel-antennas.eu
P. IVA 02442250060