

OMNIDIRECTIONAL GSM-UMTS-WLAN ANTENNA 5dBi

T-AT485

SPECIFICATIONS

Material	ABS / PVC / MOPLen
Colour	Grey
Weight (g)	380
Dimensions (mm)	340*50 H=155
Temperature (°C)	-30° - +80°



TECHNICAL DATA:

Antenna type

GSM 900 Collinear Antenna
GSM 1800 Collinear Antenna
UMTS Collinear Antenna
W-LAN Collinear Antenna

Frequency range

GSM EUROPE 890 ÷ 960 MHz
DCS-PCS EUROPE 1710 ÷ 1880 MHz
UMTS 1900 ÷ 2170 MHz
W-LAN 2400 ÷ 2485 MHz

Impedance (Ohms)

50

Max power (W)

10

V.S.W.R.

890 ÷ 960 less than 2.2
1710 ÷ 1880 less than 2.2
1900 ÷ 2170 less than 2.5
2400 ÷ 2485 less than 2.5

Beamwidth horizontal

H plane omnidirectional 360°

Polarization

Vertical

Emission

Omnidirectional

Gain (dBi)

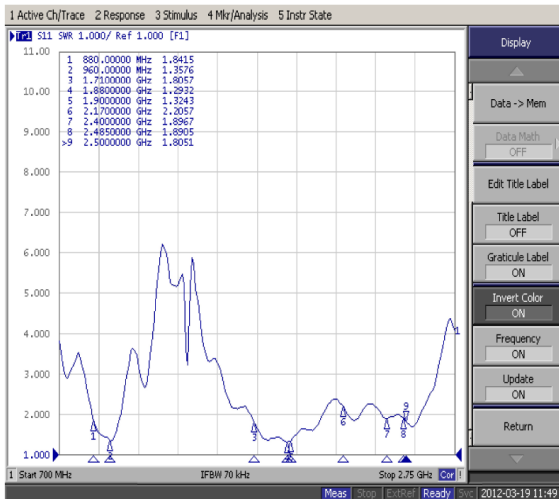
5

Cable

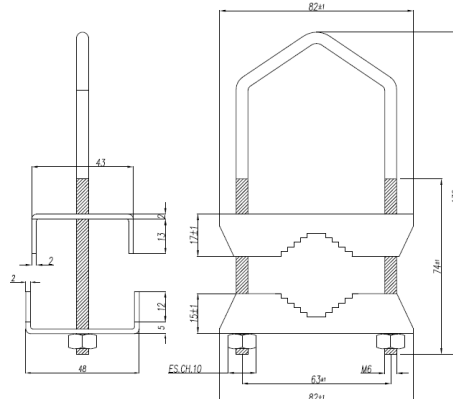
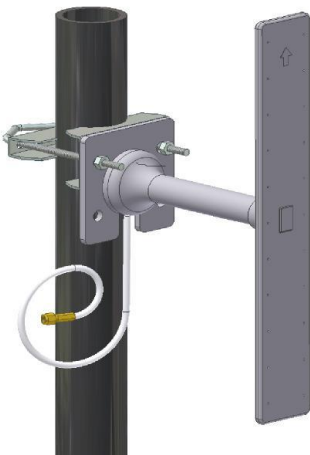
CO100 mm. 5000

Connector

SMA m.



MOUNTING ON PALE



MOUNTING ON WALL



Atel-Antennas S.r.l.

Viale Caduti sul Lavoro, 21/A - 15061 Arquata Scrivia (AL) - Italy

Tel. +39 0143 635496 - Fax +39 0143 666423 - Website: www.atel-antennas.eu - Mail: commerciale@atel-antennas.eu - P. IVA 02442250060