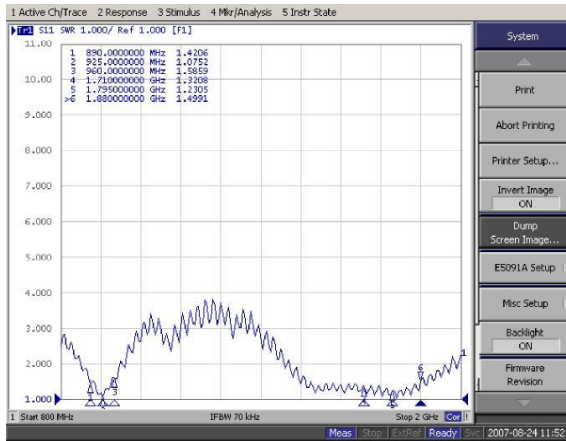


OMNIDIRECTIONAL GSM ANTENNA 5dBi

T-AT465

SPECIFICATIONS

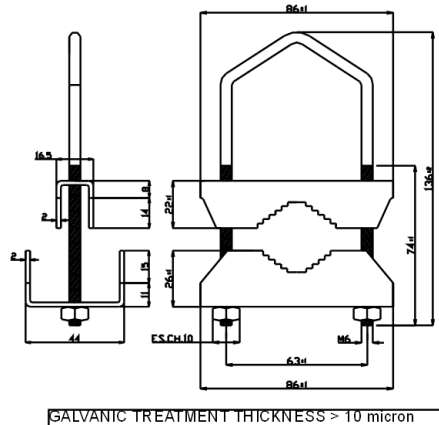
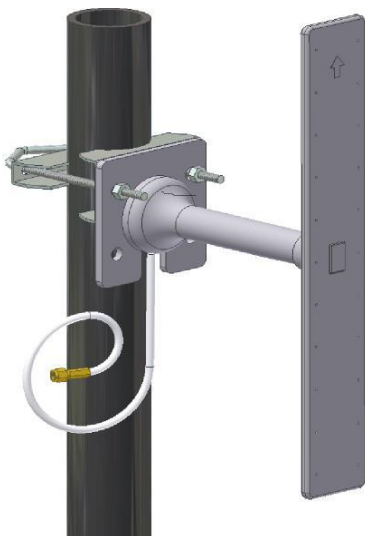
Material	ABS/PCV/MOPLN
Colour	Grey
Weight (g)	380
Dimensions (mm)	340* 50 h=155
Temperature (°C)	-30° - +80°



TECHNICAL DATA

Antenna type	GSM 900 Collinear Antenna GSM 1800 Collinear Antenna
Frequency range	GSM EUROPA 890 ÷ 960 MHz DCS-PCS EUROPA 1710 ÷ 1880 MHz
Impedance (Ohms)	50
Max power (W)	10
V.S.W.R.	890 ÷ 960 MHz less than 2.0 1710 ÷ 1880 MHz less than 2.0
Beamwidth horizontal	H plane omnidirectional 360°
Polarization	Vertical
Emission	Omnidirectional
Gain (dBi)	5
Cable	CO100 mm. 5000
Connector	SMA m.

MOUNTING ON PALE



SALVANIC TREATMENT THICKNESS > 10 micron

MOUNTING ON WALL



Atel-Antennas S.r.l.

Viale Caduti sul Lavoro, 21/A - 15061 Arquata Scrivia (AL) - Italy

Tel. +39 0143 635496 - Fax +39 0143 666423 - Website: www.atel-antennas.eu - Mail: commerciale@atel-antennas.eu - P. IVA 02442250060