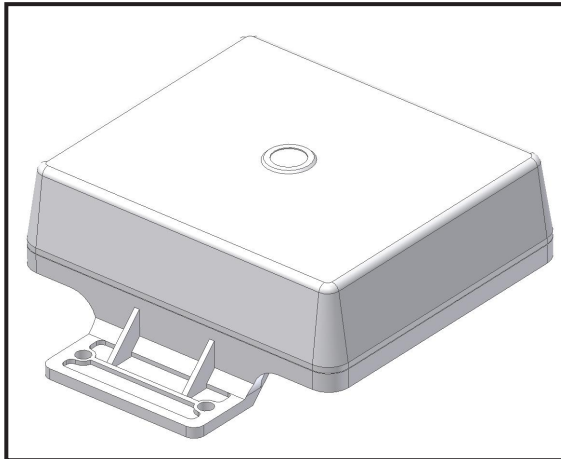


Type n° T-AT883

DIRECTIVE ANTENNA LTE 680 ÷ 790 / 790 ÷ 960 / 1710 ÷ 2700 MHz

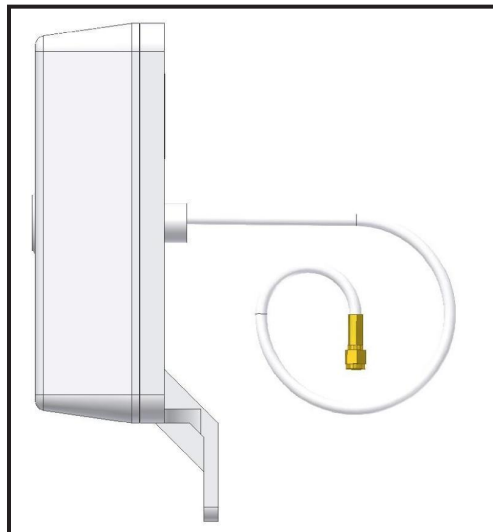
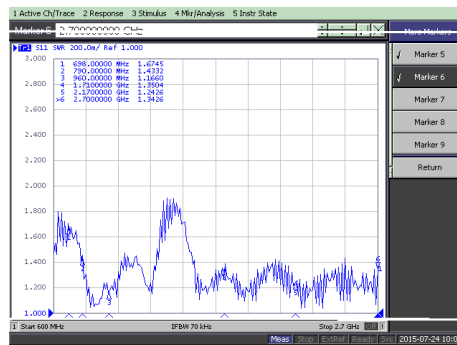
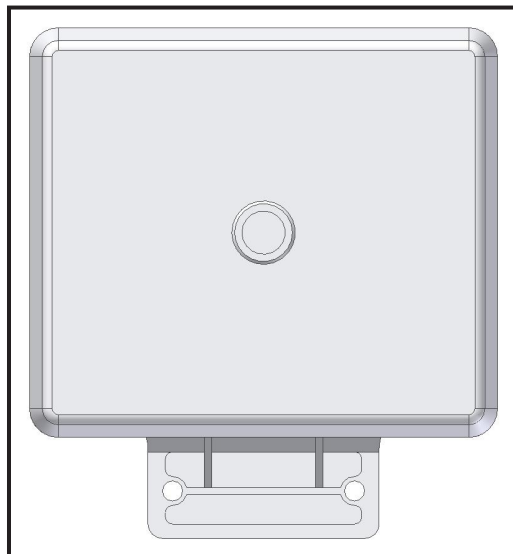


SPECIFICATIONS

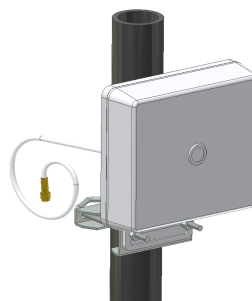
Material:	ABS
Colour:	Gray
Dimensions (mm):	162*142*45
Wind resistance:	120 Km/h
Mounting (mm):	On pale (from Ø20 ÷ Ø55)
Temperature (°C):	-30° - +80°

TECHNICAL DATA LTE:

Antenna type:	Directive Antenna
Frequency range LTE:	680 ÷ 790 MHz 790 ÷ 960 MHz 1710 ÷ 2700 MHz
Impedance (Ohms):	50
Max power (W):	50
V.S.W.R. 680÷790 :	less than 2.0
V.S.W.R. 790÷960:	less than 1.5
V.S.W.R. 1710÷2700 :	less than 1.5
Polarization:	Vertical
Emission:	Directive
Gain (dBi):	10
Cable lenght :	CO100 mm.5000
Connector:	SMA M.



PALE MOUNTING



WALL MOUNTING

