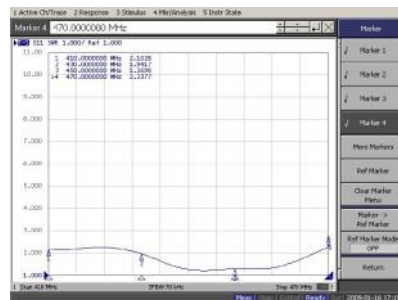


## Type n° T-AT162

Motocycle antenna waterproof 410 ÷ 470MHZ



V.S.W.R. CURVE



### SPECIFICATIONS:

#### Material

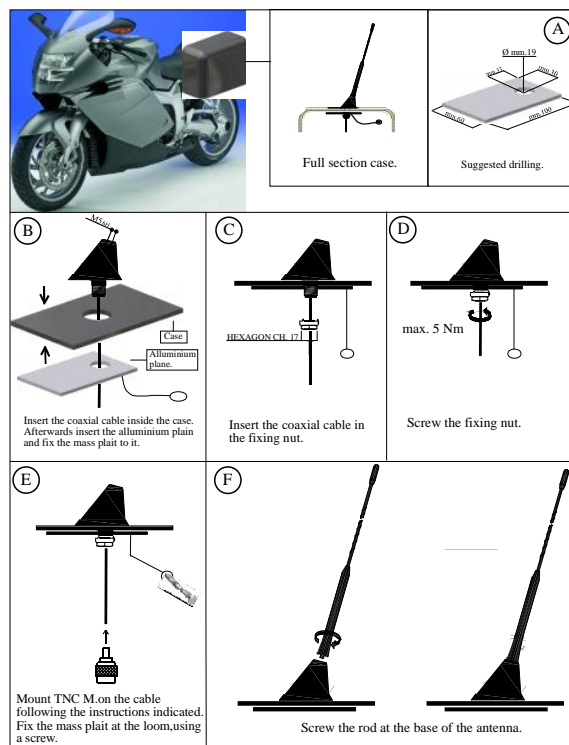
Cap:	Polyamide 6
Gasket:	Pibiflex 4612 Black
Colour:	Black
Net weight ( g ):	120
Base dimensions ( mm )	
Lenght:	64
Width:	46
Mounting hole ( mm )	
Squared:	15*15
Round:	Ø 19
Temperature ( °C ):	-30° - +80°

### TECHNICAL DATA UHF:

Antenna type:	Mobile Antenna
Frequency range:	410 ÷ 470 MHz
Impedance ( Ohms ):	50
Max power ( W ):	20
V.S.W.R.:	less than 3
Polarization:	Vertical
Emission:	Omnidirectional
Gain ( dBi ):	2.14
Rod section:	1
Rod elevation:	74°
Rod lenght ( mm ):	345 ± 5
Rod material:	Pibiflex 2564 BlackRod 1
Cable Lenght:	RG58 mm.2500±20
Connector:	TNCm clamp (non cablato)

## MOUNTING INSTRUCTIONS

### MOUNTING INSTRUCTIONS WITH MOTORCYCLE TOP CASE



### MOUNTING INSTRUCTIONS WITHOUT MOTORCYCLE TOP CASE

