

## Type n° T-AT450 / T-AT451 OMNIDIRECTIONAL ANTENNA GSM

### SPECIFICATIONS:

Art. T-AT450

Material: RW 24 WM 470  
Colour: White / Black  
Net weight ( g ): 360  
Dimensions ( mm ): 250\* Ø16  
Temperature ( °C ): -30° - +80°

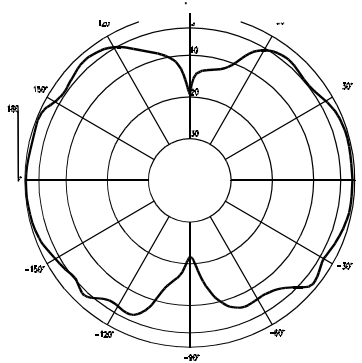
### TECHNICAL DATA GSM:

Antenna type: 1/4 l Mobile Antenna  
Frequency range  
GSM EUROPA / USA: 824 ÷ 960 MHz  
DCS-PCS EUROPA / USA: 1710 ÷ 1990 MHz  
Impedance ( Ohms ): 50  
Max power ( W ): 20  
V.S.W.R. 824 ÷ 960: less than 2.0  
V.S.W.R. 1710 ÷ 1990: less than 1.5  
Beamwidth horizontal: H plane omnidirectional 360°  
Beamwidth vertical: E plane 50°  
Polarization: Vertical  
Emission: Omnidirectional  
Gain ( dBi ): 2.14  
Cable: RG 58 mm. 5000 whit FME F;  
capacity: 100pF/m

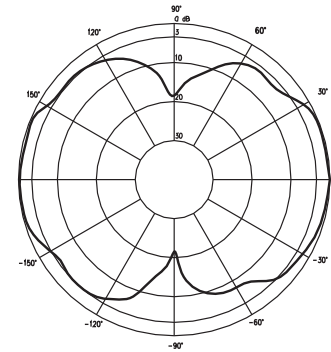
Art. T-AT451



TYPICAL RADIATION PATTERN in E-PLANE at 1800 MHz



TYPICAL RADIATION PATTERN in E-PLANE at 900 MHz



V.S.W.R. CURVE

